

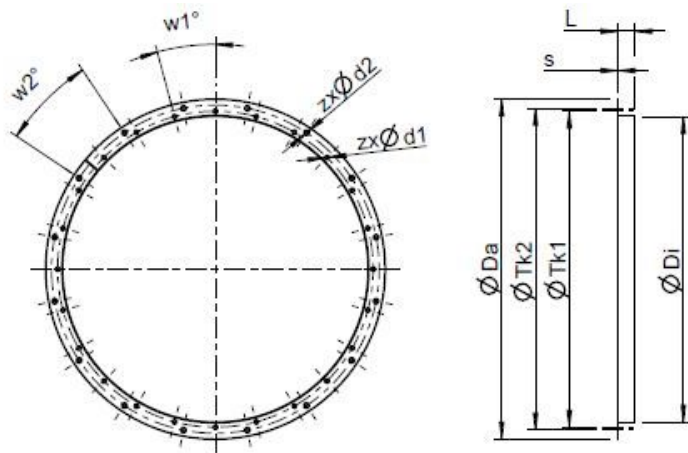
GFL-AR/AXC *** counter flange

Counterflange for axial fans of type AR and AXC

The counterflange is manufactured from galvanized steel.



DIMENSION



Artikel Nr./ article Nr.	Baugröße/ size	$\varnothing Da$	$\varnothing Di$	$\varnothing Tk1$	$z \times \varnothing d1$	$w1^\circ$	$\varnothing Tk2$	$z \times \varnothing d2$	$w2^\circ$	L	s	Oberfläche surface
8376	315	390	322	355	8x10	45	355	8x10	45	30	1,5	vorverzinkt pre-galvanized
8377	355	435	361	395	8x10	45	395	8x10	45	30	1,5	vorverzinkt pre-galvanized
8378	400	480	402	438	12x10	30	450	8x12	45	30	2	vorverzinkt pre-galvanized
8379	450	524	455	487	12x10	30	500	8x12	45	35	2	vorverzinkt pre-galvanized
8380	500	585	505	541	12x10	30	560	12x12	30	35	2	vorverzinkt pre-galvanized

INLET FLANGE



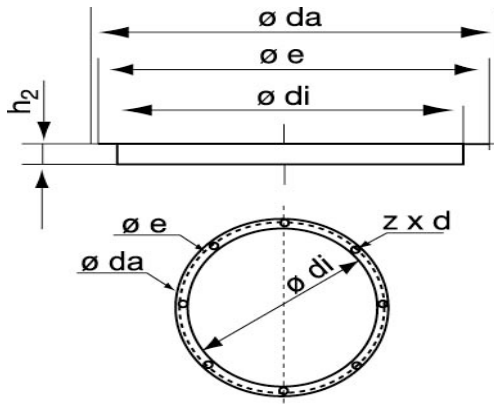
ASF ***inlet flange DVS

Inlet flange

Counterflange for connection to a duct system. Manufactured from galvanized steel.

Suitable for DVS/DVSI, DHS, DVN/DVNI up to 120°C.

DIMENSION



	$\varnothing da$	$\varnothing e$	$\varnothing di$	$h2$	$z \times d$
ASF 190/225	235	213	183	25	6 x $\varnothing 7$
ASF 310/311	306	285	256	25	6 x $\varnothing 7$
ASF 355/500	464	438	402	30	6 x $\varnothing 9$
ASF 560/630	639	605	569	30	6 x $\varnothing 9$
ASF 710	708	674	634	30	6 x $\varnothing 9$
ASF 800/900	910	872	797	30	6 x $\varnothing 10$